



Now standard with LubeTronic

Saves time

- Does away with time consuming maintenance work
- LubeTronic provides fully automatic lubrication of the lock jaw
- No lubrication necessary on the coupling plate thanks to the top plate liners

Protects the environment and resources

- LubeTronic works with special high-performance grease
- In combination with the special coating on the lock jaw, only a minimum of grease is consumed.

Versatile and convenient

- Suitable for use in hazardous-cargo vehicles (ADR)
- Ideal for long distance traffic and tanker applications

Durable

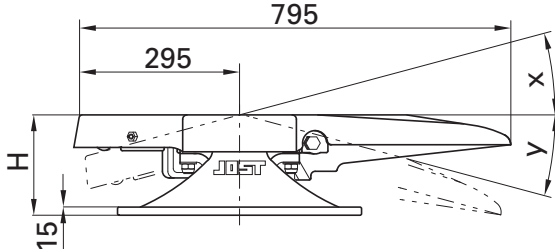
- Life span of LubeTronic: 3 years or 300,000 km, whichever arises first

JSK 37 CW / JSK 42 W

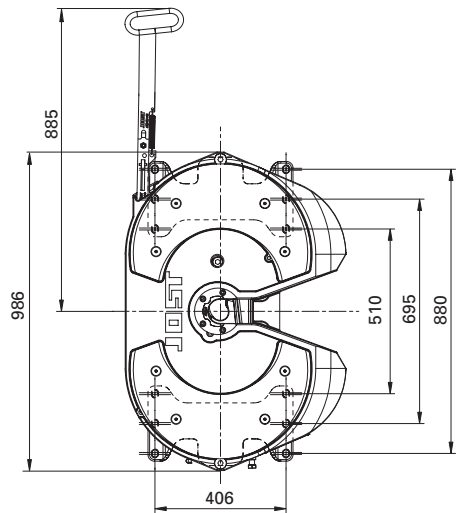
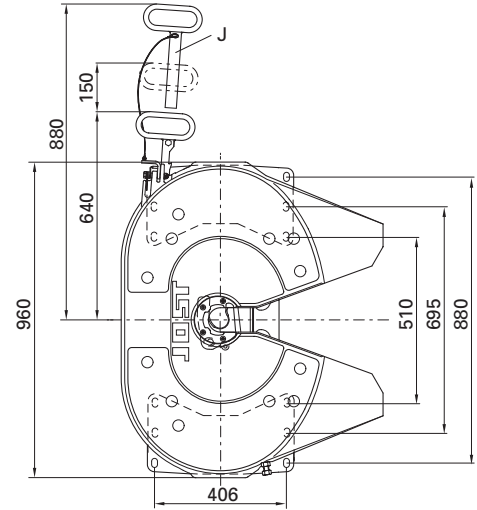
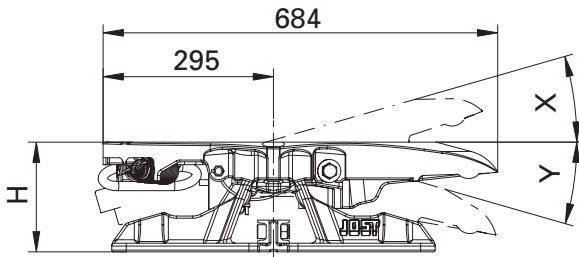
Technical Specifications

LubeTronic 1Point in accordance with the ECE R55-01, TÜ.EGG.095-05, DIN 74081, ISO 3842, ECE R10 directives/ standards. Suitable for 2" king pins (G50) as per ECE R55-01, DIN 74080, ISO 337 and steering wedges in accordance with ECE R55-01, DIN 74085

JSK 37 CW



JSK 42 W



Selection table / Versions available

| Order No. (old) without LubeTronic 1Point | Order No. (new) with LubeTronic 1Point | H (mm) | D value (kN) | Imposed load U (t) | Weight (kg) | Approval (ECE) | WA | ZL | X/Y |
|--|---|-----------|-----------------|-----------------------|----------------|-------------------|--------|----|-----|
| JSK 37 C150 WJ | JSK 37 C0 20 87 AA | 150 | 152 | 20 | 150 | E1 55R-01 0116 | W+LT1P | J | 15° |
| JSK 37 C185 WJ | JSK 37 C0 38 87 AA | 185 | 152 | 20 | 153 | E1 55R-01 0116 | W+LT1P | J | 15° |
| JSK 37 C250 WJ | JSK 37 C0 70 87 AA | 250 | 152 | 20 | 153 | E1 55R-01 0116 | W+LT1P | J | 15° |
| JSK 37 C300 WJ | JSK 37 C0 80 87 AA | 300 | 152 | 20 | 153 | E1 55R-01 0116 | W+LT1P | J | 15° |
| JSK 42 K0 20 39 AA | JSK 42 K0 20 87 AA | 150 | 152 | 20 | 126 | E1 55R-01 1245 | W+LT1P | J | 13° |
| JSK 42 K0 38 39 AA | JSK 42 K0 38 87 AA | 185 | 152 | 20 | 124 | E1 55R-01 1245 | W+LT1P | J | 19° |
| JSK 42 K0 57 39 AA | JSK 42 K0 57 87 AA | 225 | 152 | 20 | 129 | E1 55R-01 1245 | W+LT1P | J | 25° |
| JSK 42 K0 70 39 AA | JSK 42 K0 70 87 AA | 250 | 152 | 20 | 134 | E1 55R-01 1245 | W+LT1P | J | 27° |

other versions on request

Explanations:

WA / Maintenance

W+LT1P = Low-maintenance version with top plate liners and LubeTronic

ZL / Handle length

J = Long handle

LubeTronic add-on kit:

SKE004070100

Member of **JUST**-World

JUST, Germany Tel. +49 6102 295-0, jost-sales@jost-world.com, www.jost-world.com