

RO★825 A/825 B



The ball hitch system KS80

RO★825 A

- Rotatable latch
- Single-piece, high-strength forging in different widths
- Maximum freedom for the cardan shaft

RO★825 B

- Rotatable latch
- Height can be adjusted quickly
- Larger curve radius for trailers

RO*825 A/825 B

RO*825 A

Technical data

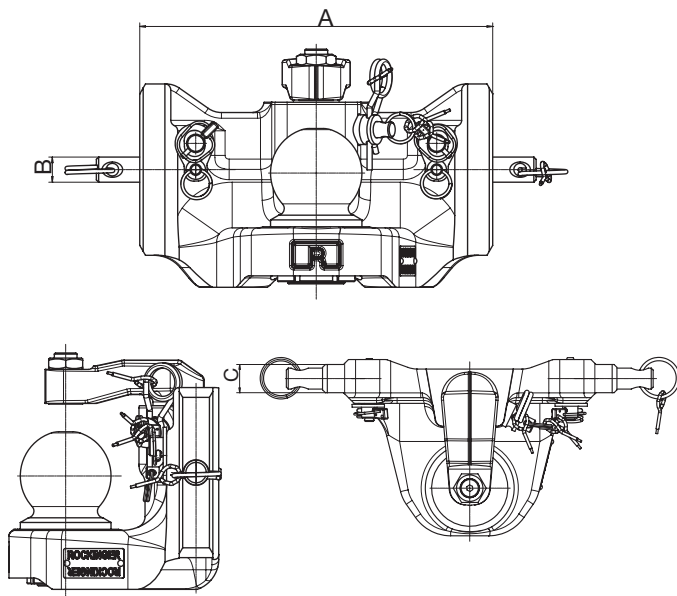
- Ball hitch with height adjustment
- According to ISO 24347

Order No.	Track width A,B,C (mm) (Sw)	S (t)	D (kN)	ABG	EG
RO 825 A 1040*	310/22/30	4	102	✓	✓
RO 825 A 1240*	312/22/30	4	102	✓	✓
RO 825 A 2340*	323/22/30	4	102	✓	✓
RO 825 A 3040*	330/25/32	4	102	✓	✓
RO 825 A 3640*	336/22/30	4	102	✓	✓
RO 825 A 9040*	390/25/32	4	102	✓	✓
RO 825 K 3040* ²	330/20/30	4	102	✓	✓
RO 825 A 3044* ³	330/25/32	4	102	✓	✓
RO 825 A 9044* ³	390/25/32	4	102	✓	✓

* Technical status

² for CBM ladder

³ in JD green



Upgrade kit forced steering RO*825 A

	ROE
For all types (beside RO 825 A 90), only both sides	74 L 198
For RO 825 A 90, only both sides	74 L 197

RO*825 B

Technical data

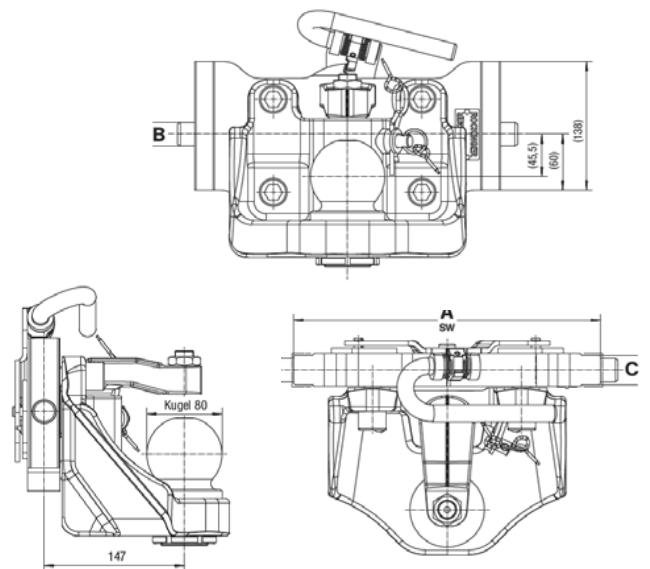
- Ball hitch for attachment to easy height-adjustable hitch carrier
- Mounted on ROCKINGER hitch carrier RO*899 D
- According to ISO 24347

Order No.	Track width A,B,C (mm) (Sw)	S (t)	D (kN)	ABG	EG
ROE 74 L044	330/25/32	3	89.3	✓	✓
ROE 74 L0440 ³	330/25/32	3	89.3	✓	✓
ROE 74 L045	310/22/30	3	89.3	✓	✓
ROE 74 L046	323/22/30	3	89.3	✓	✓
ROE 74 L047	336/22/30	3	89.3	✓	✓
ROE 74 L106	390/25/32	4	98.1	✓	✓
ROE 74 L10640 ³	390/25/32	4	98.1	✓	✓
ROE 74 L205 ¹	320/30/20	3	89.3	✓	✓
ROE 74 L109 ²	330/20/30	3	89.3	✓	✓
ROE 74 L141	312/22/30	3	89.3	✓	✓

¹ for original Sauermann Ladders

² for CBM ladder

³ in JD green



Upgrade kit forced steering RO*825 B

	ROE
Installation left	70 L 053
Both Sides	74 L 026

Both versions also available as Piton Fix

Member of **JOST**-World

JOST, Germany Tel. +49 6102 295-0, jost-sales@jost-world.com, www.jost-world.com