



## Robust 50mm coupling

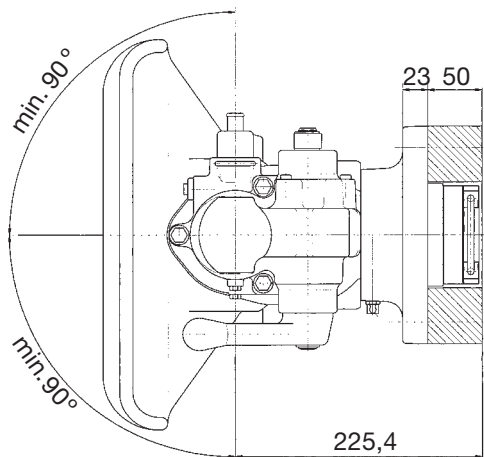
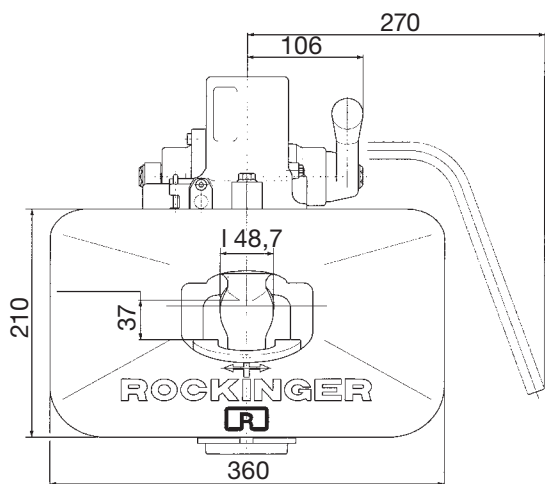
- Automatic towing hitch with flange bearing
- Perfectly suited for the use of tractors in road construction
- Prepared for mechanical remote control and remote display
- Height-adjustable
- Crowned hitch pin: 48,7 mm
- Proven ROCKINGER quality

# RO★560

## Hitch mounted on height-adjustable adapter plate ROE 70904/70L469

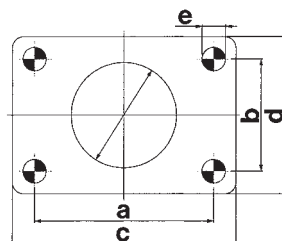
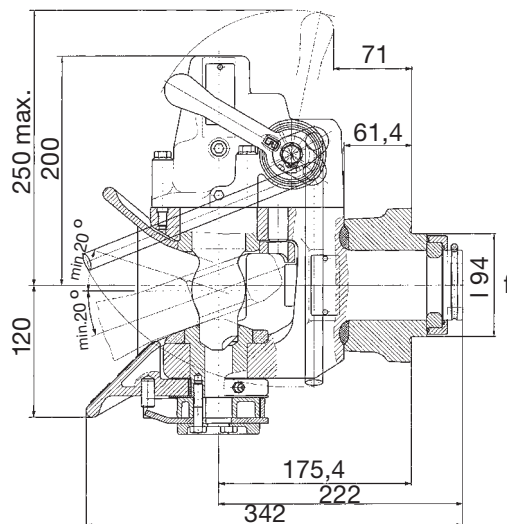
Order No.	Trackwidth (mm)	S (t)	D (kN)
RO 560 X 3000*	330 / 25 / 32	2,0	93.6
RO 560 X 9000*	390 / 25 / 32	2,0	93.6

\* Technical status



## Hitch without adapter plate

Order No.	Hole pattern	S (t)	D (kN)	EG
RO 560 A 6000*	160 x100	1,0	190	✓



Dimension	a (mm)	b (mm)	c (mm)	d (mm)	e (mm)	f (mm)
6	160	100	200	140	21	94

## Spare parts

Item	Description	Order No.
01	Distance plate	ROE 71053
02	Set of screws	ROE 75 L 143

Member of **JOST**-World

JOST, Germany Tel. +49 6102 295-0, jost-sales@jost-world.com, www.jost-world.com