

EBA – Tipper Pump

Edbro

NEW

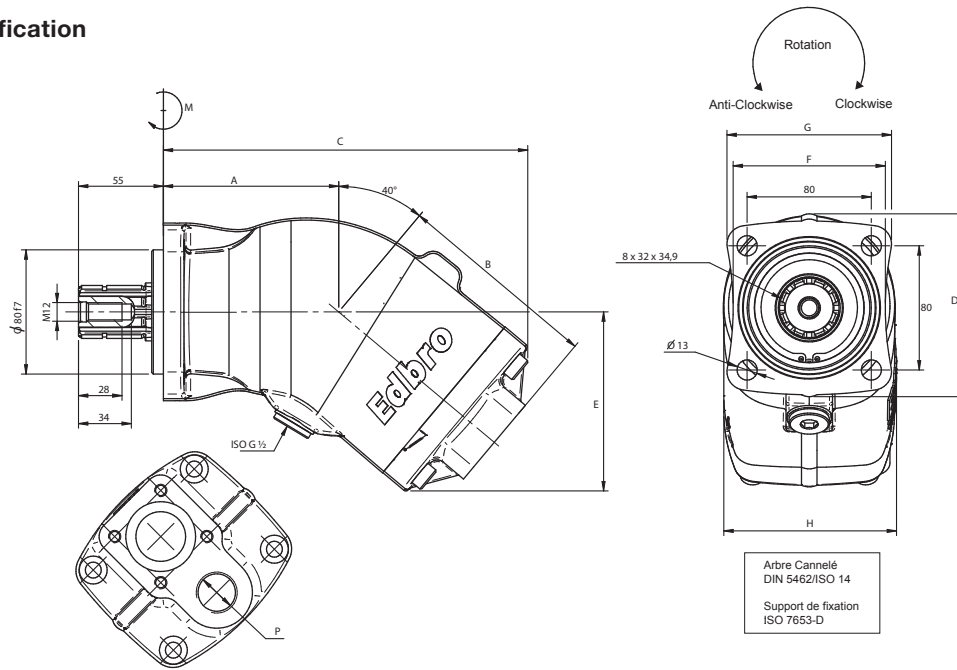


Reliable Compact Designed Pump

- 47 to 130 cm³/rev displacement
- Medium pressure (300 bar mwp)
- Compact size for easy installation
- Now with one piece lightweight aluminium casting
- Ideal for close coupled PTO mounting
- Reversible rotation whilst installed
- 4-Hole ISO7653 Mounting Flange

EBA Tipper Pump

Technical Specification



xxx – Choose from below (Pump Flow)

Part Code:			047	064	090	130
EBA/xxx/30/#						
Theoretical oil flow l/min at pump speed	rpm	500	23.5	31.8	45.0	65.0
		1000	47.1	63.6	90.0	130.0
		1500	70.6	95.4	135.0	195.0
Displacement	cm ³ /rev		47.1	63.6	90.0	195.0
Max pump speed						
Continuous	rpm		1,900	1,900	1,500	1,500
Limited			2,500	2,500	2,000	2,000
Max working pressure	bar		300	300	300	300
Weight	kg		9.8	9.8	9.8	13.9
Dimensions	mm	A	113	113	113	122
		B	131	131	131	147
		C	235	235	235	264
		D	118	118	118	127
		E	115	115	115	133
		F	98	98	98	98
		G	106	106	106	106
		H	111	111	111	118
	ISO G	P	3/4	3/4	3/4	1
Self-weight moment (M)	Nm	6.0	11.5	11.5	11.5	18.0

xxx – Pump Flow cc/rev

30 – 300 bar

– Direction of Rotation – Part codes ending in (C) will refer to Clockwise rotation, (A) will refer to Anti-clockwise rotation.

For installation and oil recommendations please refer to the General Instructions document Ref PC-002

Member of **JOST**-World

JOST, Germany Tel. +49 6102 295-0, jost-sales@jost-world.com, www.jost-world.com

Edbro, UK, Tel. +44 1204 528888, sales-uk@jost-world.com, www.edbro.com